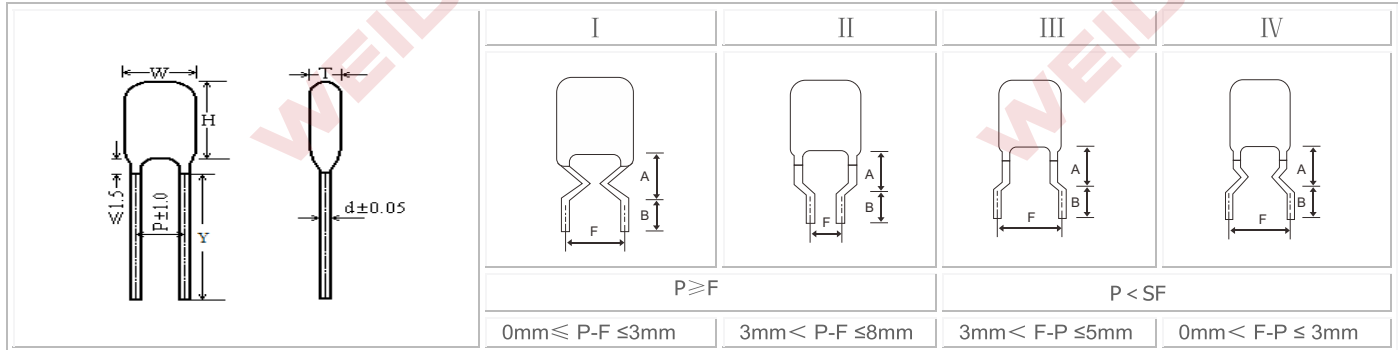


# W10 CH11 series

有感箔式聚酯 聚丙烯膜复合介质电容器 (浸渍型)  
 Inductive polyester/polypropylene film/foil capacitor (Dipped)

## 外形图 Outline Drawing



## 特点

- 聚酯膜/聚丙烯膜/铝箔，有感卷绕结构
- 在一定的温度范围内电容量温度系数小，接近于聚碳酸酯介质
- 高频损耗小
- 绝缘电阻高，电容量稳定性好
- 环氧料真空包封

## 主要用途

- 适用于定时，振荡电路等

## Features

- Polyester/Polypropylene film/Foil, inductive wound construction
- Temperature coefficient of capacitance at a certain temperature range is small and similar to polycarbonate
- Low loss at high frequency
- High insulation resistance, good capacitance stability
- Epoxy resin vacuum-dipped

## Typical application

- Suitable for timing circuit and oscillation circuit, etc.

## 技术要求 Specifications

引用标准 Reference Standard	GB/T 6346 (IEC 60384-11)	
气候类别 Climatic Category	55/105/21	
额定温度 Rated temperature	85°C	
工作温度范围 Operating temperature	-55°C~105°C (+85°C to +105°C: decreasing factor 1.25% per °C for VR(dc))	
额定电压 Rated Voltage	1000V, 1200V	
电容量范围 Capacitance Range	0.00051 ~ 0.01μF	
电容量偏差 Capacitance Tolerance	±5%(J), ±10%(K), ±20%(M)	
耐电压 Voltage Proof	2.0UR (5s)	
损耗角正切 Dissipation Factor	≤50×10 <sup>-4</sup> (20°C, 1kHz)	
绝缘电阻 Insulation Resistance	≥50 000MΩ, CR ≤0.1μF	(20°C, 100V, 1min)

# W10 CH11 series

## 产品代码说明 Part number system

■ 18 位产品代码说明如下：

The 18 digits part number is formed as follow:



### W 1 0

第 1~3 位：型号代码

W10=CH11

第 4~5 位：直流额定电压

3A=1000V 3M=1200V

第 6~8 位：标称容量

举例：103 =  $10 \times 10^3$  PF = 0.01 $\mu$ f

第 9 位：容量偏差

J=±5%, K=±10% , M=±20%

第 10 位：引线脚距

0 代表所有脚距

第 11 位：引线线径

5= CP 0.5mm

第 12 位：引线加工和包装代码

L= 直脚 K= 引线成型

T= 弹带包装

第 13~18 位：内部特征码

Digit 1 to 3: Series code

W10=CH11

Digit 4 to 5: DC rated voltage

3A=1000V 3M=1200V

Digit 6 to 8: Rated capacitance

For example: 103 =  $10 \times 10^3$  PF = 0.01 $\mu$ f

Digit 9: Capacitance tolerance

J=±5%, K=±10% , M=±20%

Digit 10: Pitch

0 代表所有脚距

Digit 11: Lead Wire diameter

5= CP 0.5mm

Digit 12: Lead form and packaging code

L= straight lead K= Lead kinked

T= ammo-pack

Digit 13 to 18: Internal use

# W10 CH11 series

## ■ 外形尺寸 Dimensions (mm)<sup>®</sup>

1000V/1200V <sup>#</sup>						
Cn ( $\mu$ F)	W max	H max	T max	P	d	Part number
0.00051	6.5	11.0	4.5	4.0	0.5	W103M511-05*****
0.00068	7.0	12.5	5.0	4.0	0.5	W103M681-05*****
0.00082	7.5	13.5	5.0	4.0	0.5	W103M821-05*****
0.0010	7.5	13.5	5.0	4.0	0.5	W103M102-05*****
0.0012	7.5	13.5	5.0	4.0	0.5	W103M122-05*****
0.0015	8.0	13.5	5.0	4.5	0.5	W103M152-05*****
0.0018	8.0	13.5	5.5	4.5	0.5	W103M182-05*****
0.0022	8.0	14.5	5.5	5.0	0.5	W103M222-05*****
0.0027	8.5	14.5	5.5	5.0	0.5	W103M272-05*****
0.0033	9.5	14.5	6.0	5.5	0.5	W103M332-05*****
0.0039	9.5	15.0	6.5	6.0	0.5	W103M392-05*****
0.0047	9.5	17.0	6.5	6.0	0.5	W103M472-05*****
0.0056	10.0	17.5	7.0	6.0	0.5	W103M562-05*****
0.0068	10.5	17.5	7.5	6.5	0.6	W103M682-05*****
0.0082	11.5	18.0	8.0	7.5	0.6	W103M822-05*****
0.010	12.0	18.0	8.5	7.5	0.6	W103M103-05*****

备注：1. “-”表示容量偏差。“-”=capacitance tolerance code, M=±20%,K=±10%,J=±5%,

2. 第12位表示引线加工和包装代码, L=直脚 straight lead K=引线成型 Lead kinked T=弹带包装 ammo-pack.

3. “#”当额定电压是1000Vdc时,第4~5位代码是3A。“#”when the rated voltage is 1000Vdc, the digit 4~5 is 3A.